

VOLTAGE INDICATOR

TYPE B / BR / BP / BF / BFP

These voltage indicators can be used in medium voltage networks with a rated voltage of 5 kV to 36 kV. Their function is a permanent indication of the voltage status of the respective core. A flashing lamp indicates the voltage status. Depending on the installed conductor and operation site, there are different ways of installing the high voltage indicator.

VOLTAGE INDICATOR TYPE B

This voltage indicator is mounted on unscreened flat conductors. The indicator is used when the indicator is located in a visible place and can be viewed directly.

VOLTAGE INDICATOR TYPE BR

This voltage indicator is mounted on unscreened flat conductors and is equipped with a joint. The display can therefore be mounted in places which are poorly accessible.

VOLTAGE INDICATOR TYPE BP

This voltage indicator is mounted directly on unscreened cables with cable ties. The indicator is used when the indicator is located in a visible place and can be viewed directly.

VOLTAGE INDICATOR TYPE BF

This voltage indicator is used when the indicator is not directly visible. The information from the indicator is potential-freely transmitted through a fibre optic cable to a display device. The sensor of this voltage indicator is mounted on unscreened flat conductors.

VOLTAGE INDICATOR TYPE BFP

This voltage indicator is used when the indicator is not directly visible. The information from the indicator is potential-freely transmitted through a fibre optic cable to a display device. The sensor of this voltage indicator is mounted on unscreened cables by cable ties.



figure 1 - Type B



figure 2 - Type BR



figure 3 - Type BP



figure 4 - Type BF

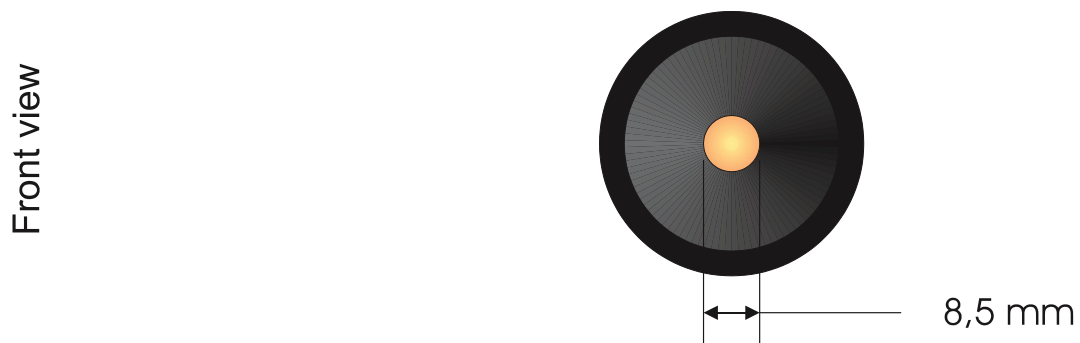
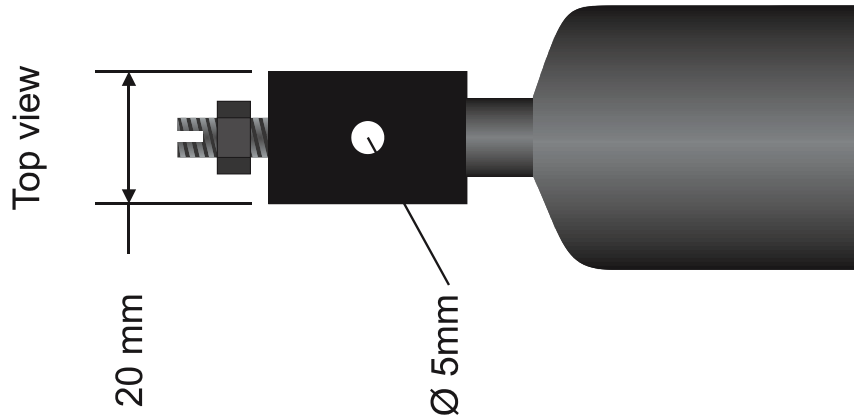
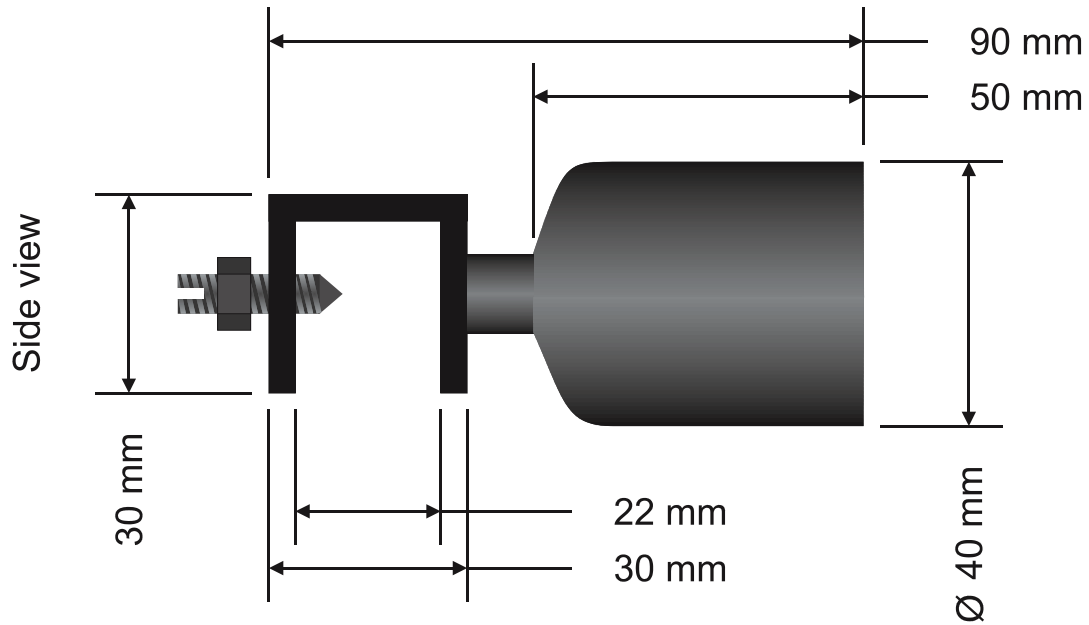


figure 5 - Type BFP

Available voltage indicator versions

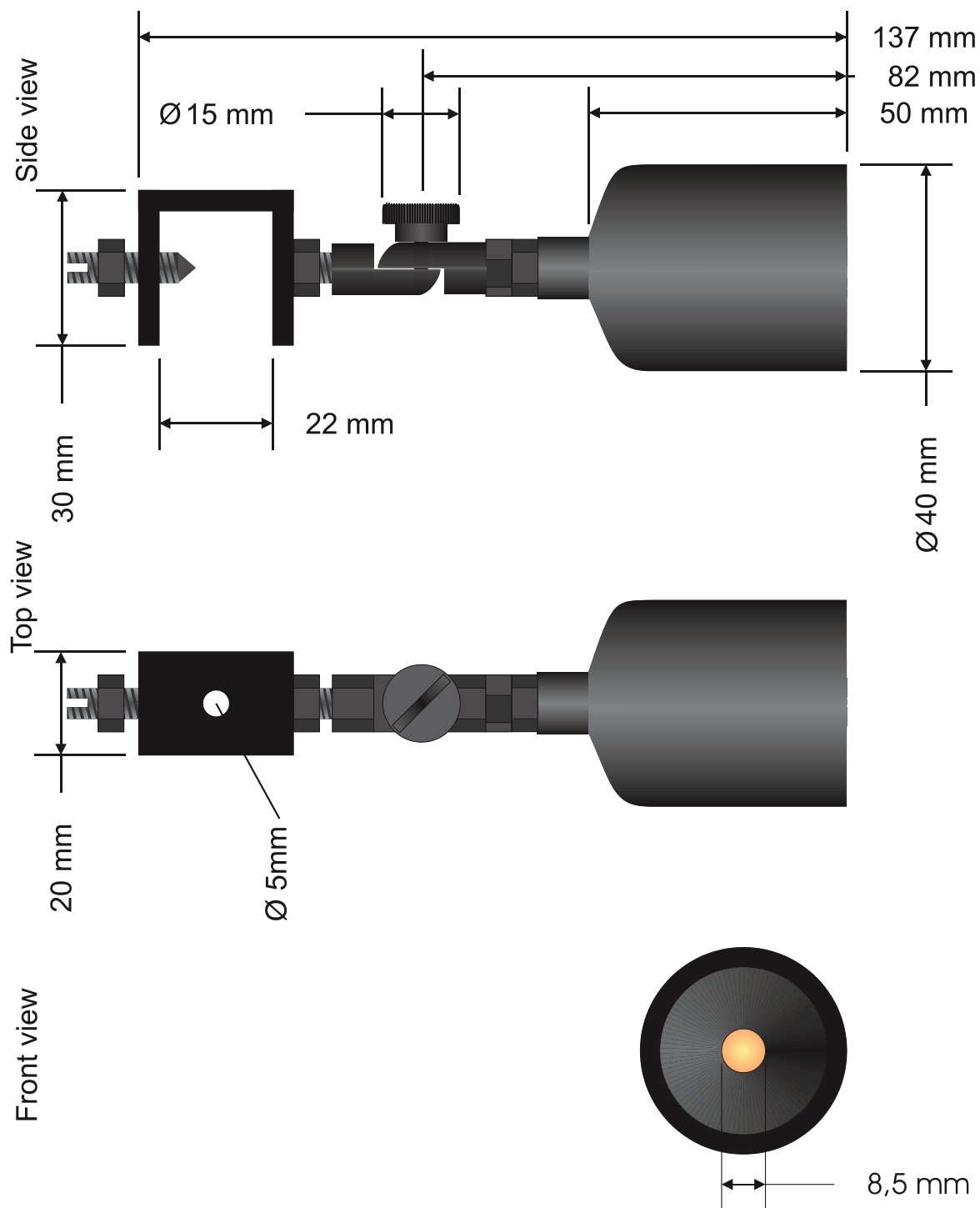
Type	5-9 kV	10-19 kV	20-29 kV	30-36 kV	60-72 kV
Typ B (for flat conductor)	X	X	X	X	
Typ BR (for flat conductor)	X	X	X	X	
Typ BP (for round conductor)	X	X	X	X	X
Typ BF (for flat conductor)		X	X	X	
Typ BFP (for round conductor)		X	X	X	

Type B



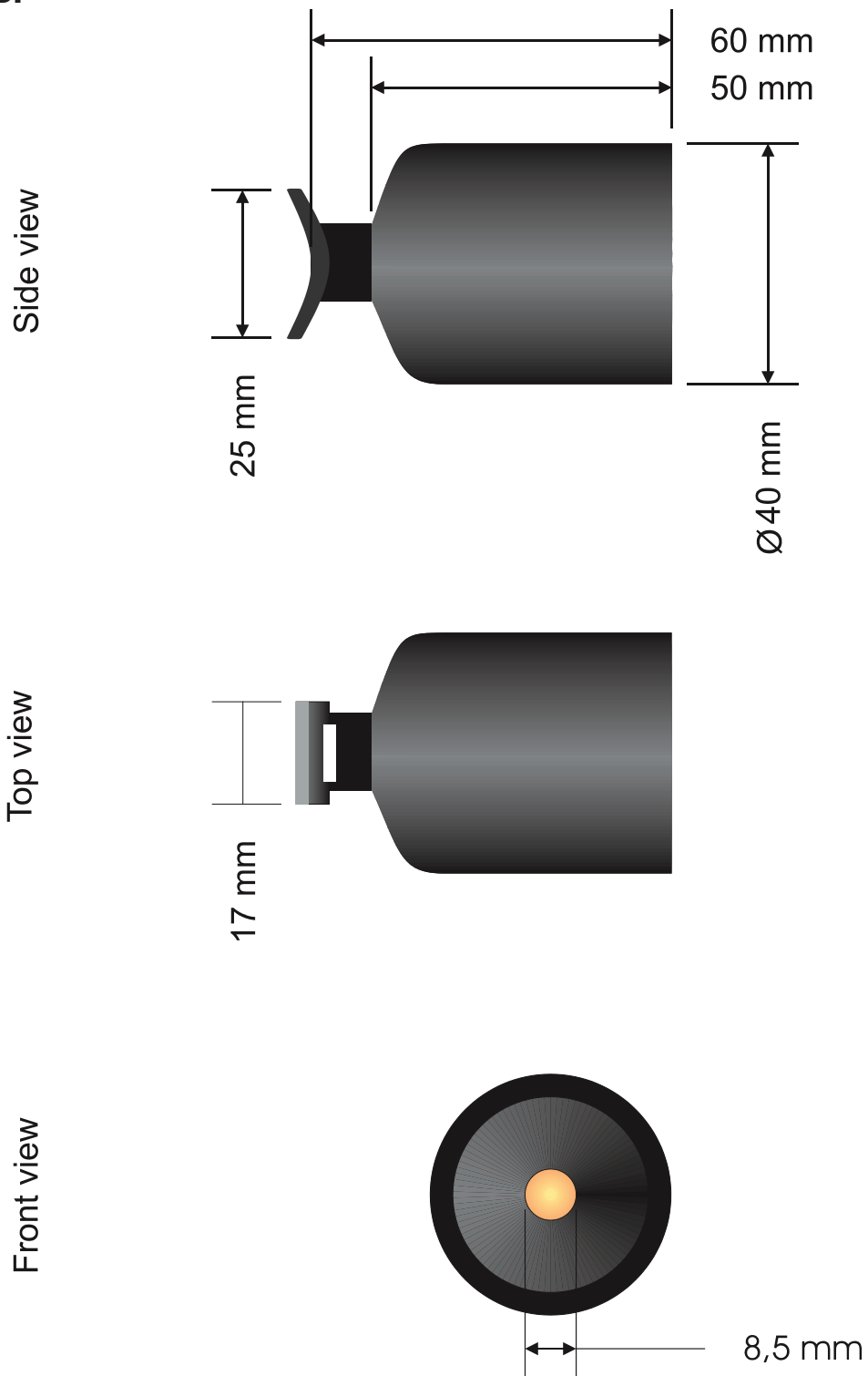
30.1664.01

Type BR



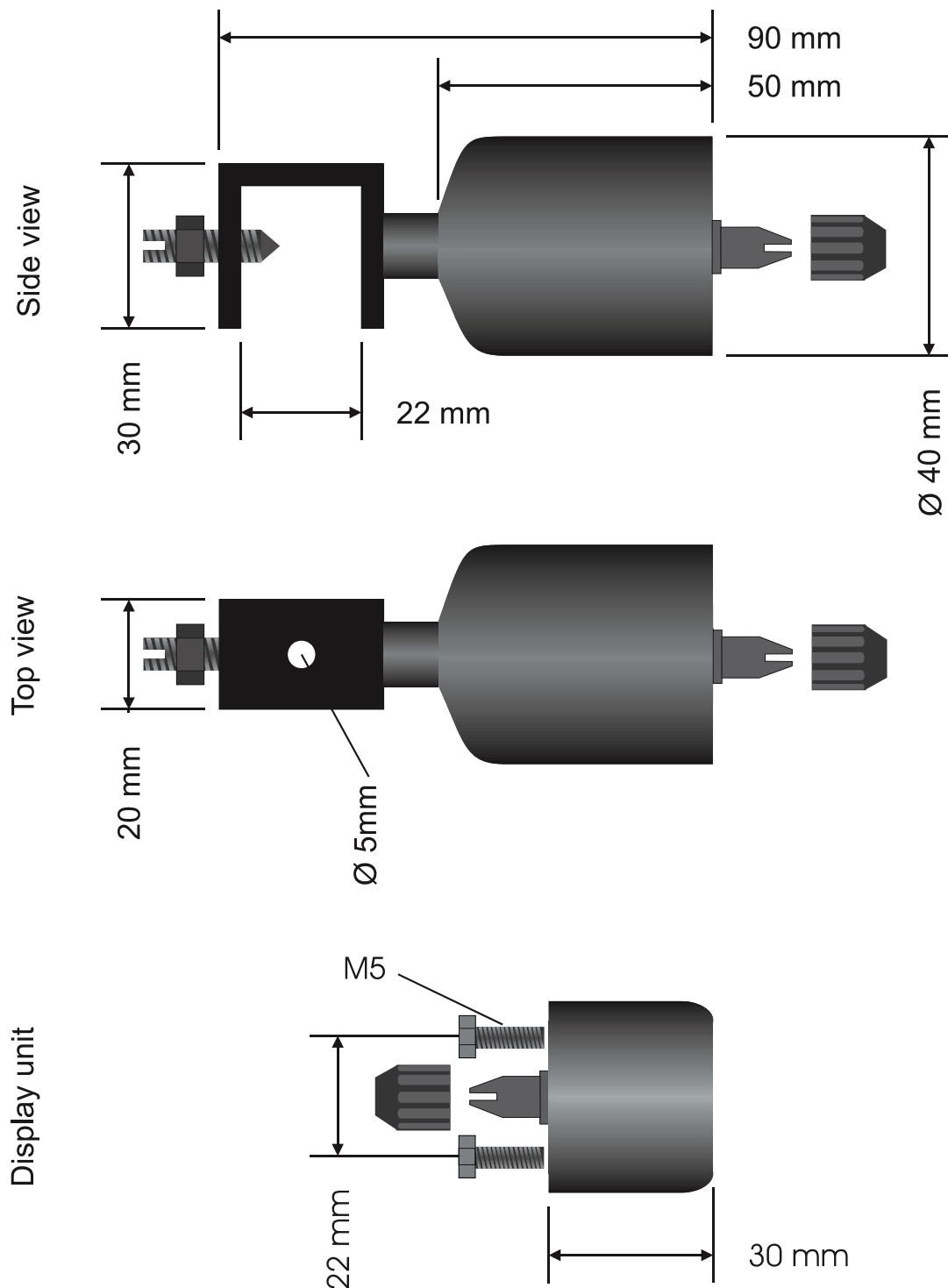
30.1663.01

Type BP



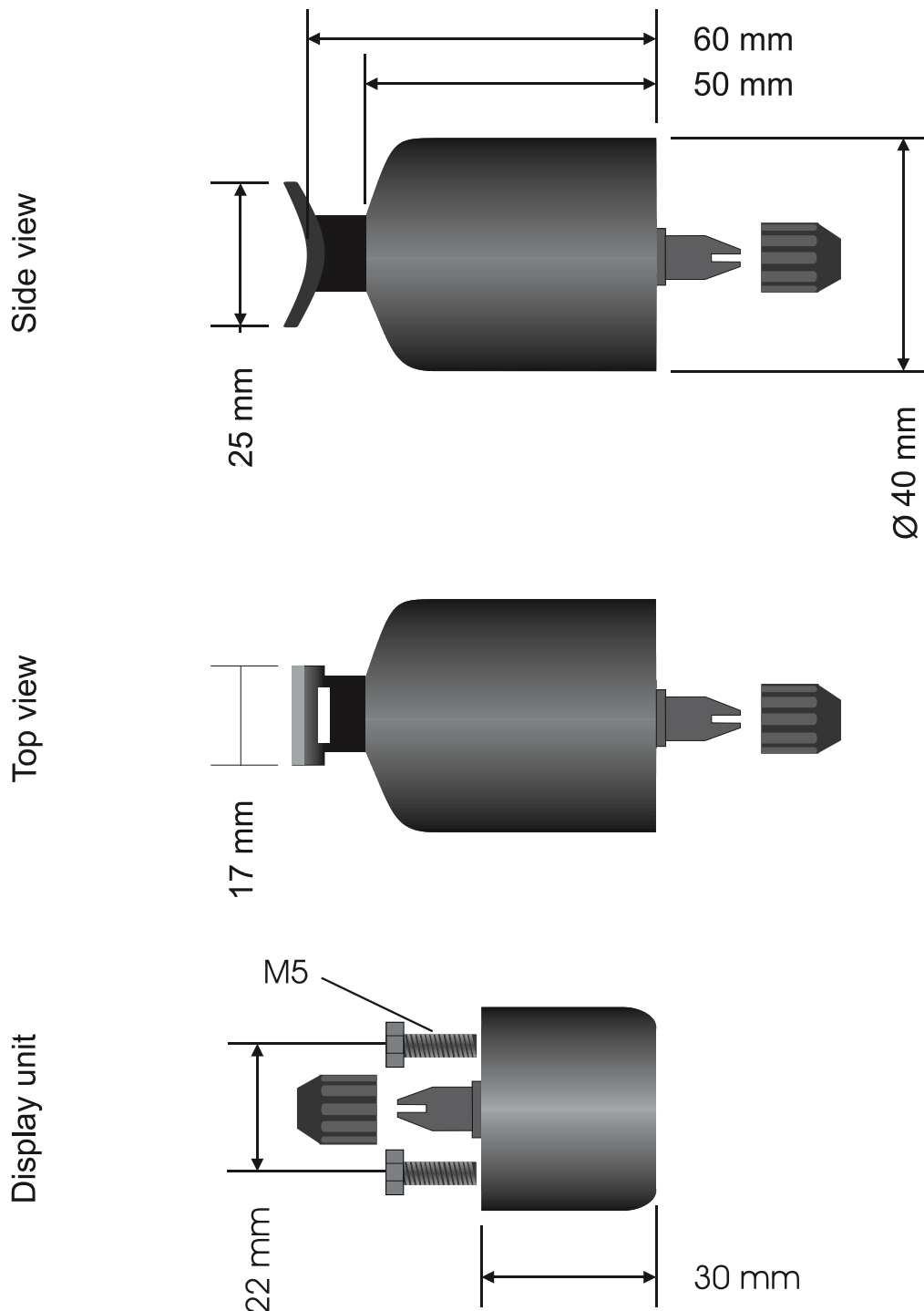
30.1665.01

Type BF



30.1666.01

Type BFP



30.1667.01